

18W



art.n.: LPL124A

tip: PR18W/90SMD/2835/4000K/A

IP20

4000K

1520lm

18W
130W

-5°C
+40°C

AC
85-265V

120°

30.000 h

30.000

100%

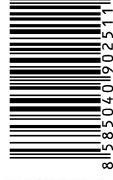
100%

Ra ≥ 80

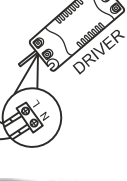
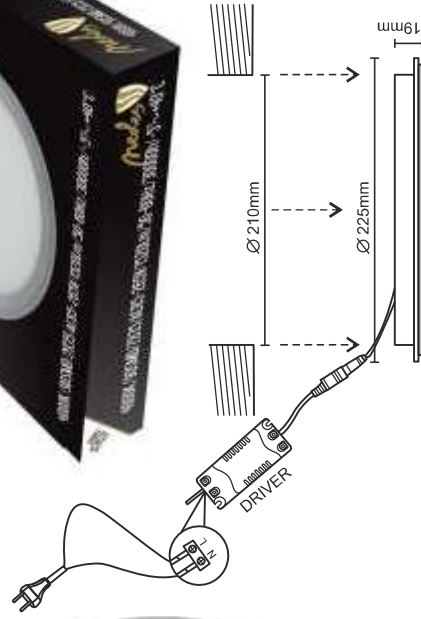
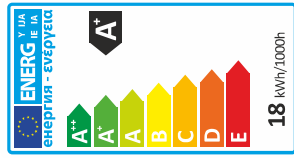
UV free

Hg free

1/20



815850401902511



6W



art.n.: LPL221A

tip: PS6W/30SMD/2835/4000K/A

IP20

4000K

420lm

6W
50W

-5°C
+40°C

AC
85-265V

120°

30.000 h

30.000

100%

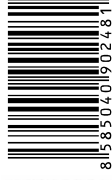
100%

Ra ≥ 80

UV free

Hg free

1/90



8158504019024811

